

4

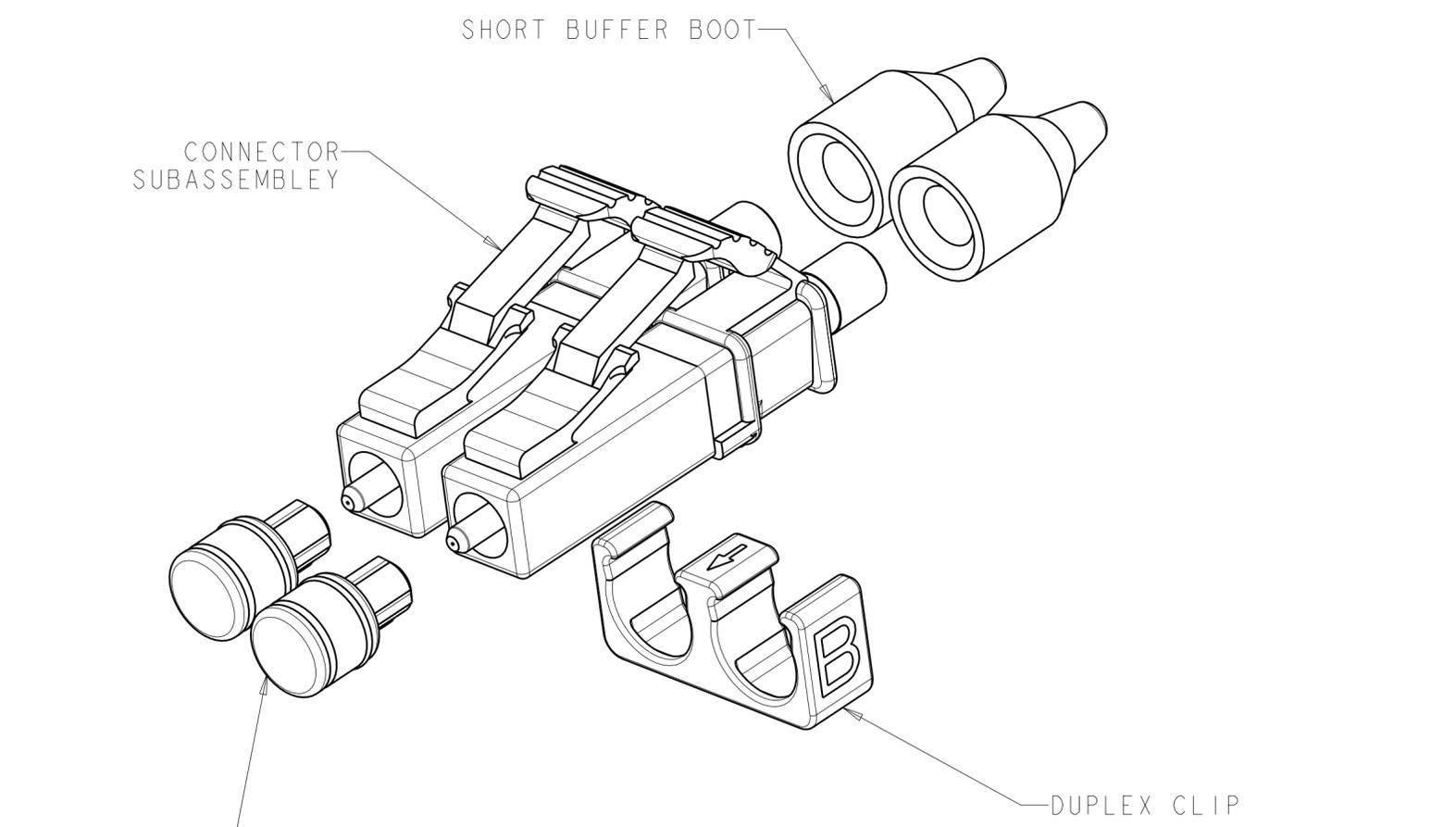
3

2

1

THIS DRAWING IS UNPUBLISHED. RELEASED FOR PUBLICATION 20
 © COPYRIGHT 20 BY TYCO ELECTRONICS CORPORATION. ALL RIGHTS RESERVED.

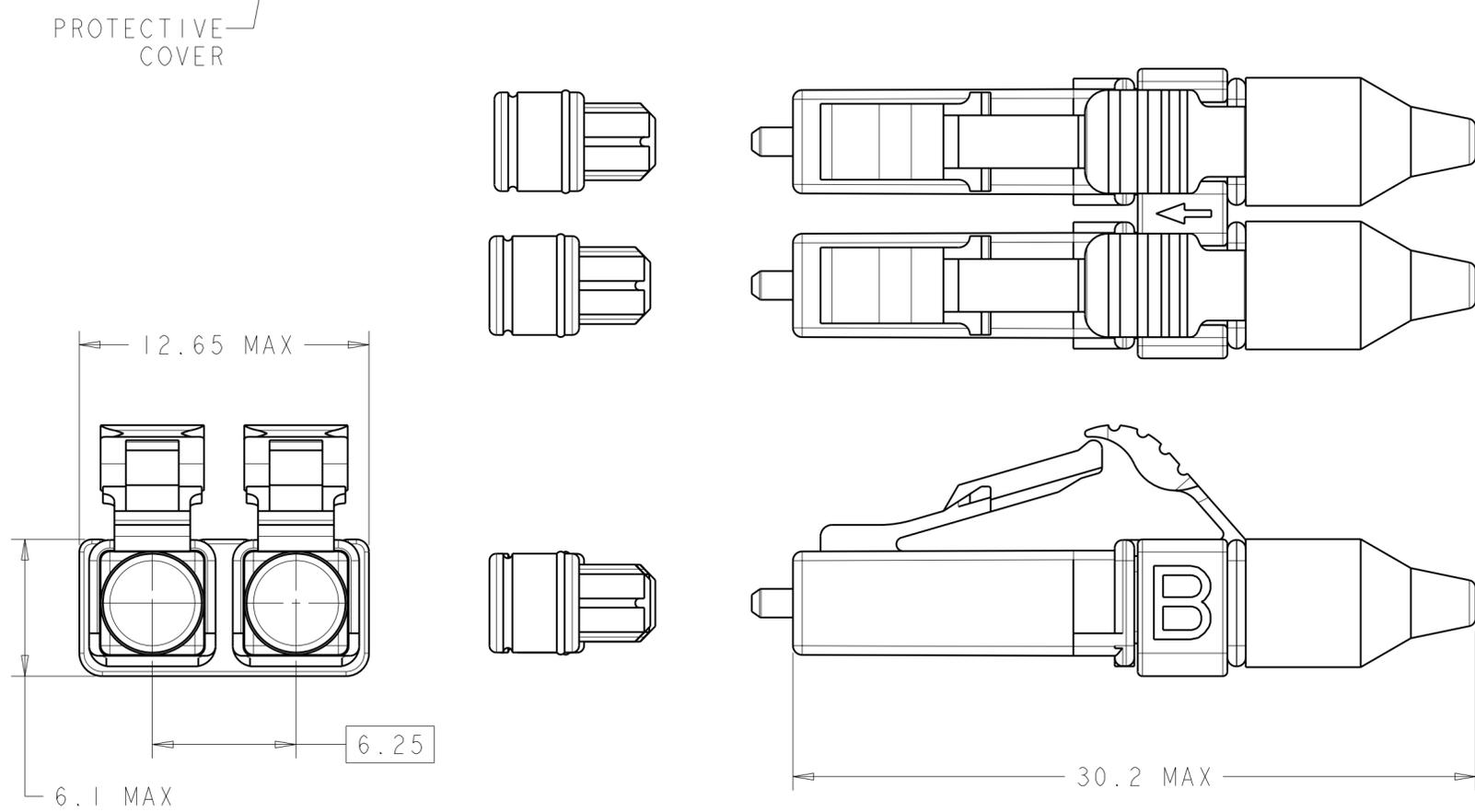
LOC	DIST	REVISIONS					
CE	00	P	LTR	DESCRIPTION	DATE	DWN	APVD
		A		REL PER ECO-06-009236	03MAY2006	BB	DR
		B		ECR-07-000267	22FEB2007	DHR	DHR
		BI		PRINT STANDARDIZATION	25JUL2008	BB	CB



1 MATERIAL
 PROTECTIVE COVER: TPE, COLOR: BLACK, UL 94 HB*
 FERRULE SUBASSEMBLY: ZIRCONIA/METAL
 COMPRESSION SPRING: STAINLESS STEEL
 FRONT HOUSING: PEI, COLOR: BLUE, UL 94 V-0*
 INNER TUBING: PTFE, COLOR: CLEAR, UL VW-1
 REAR BODY: METAL
 BOOT: TPE, COLOR: BLUE, UL 94 V-0*
 DUPLEX CLIP: PEI, COLOR: BLACK, UL 94 V-0*
 *RATED AT QUALIFYING THICKNESS.

2 BULK PACKAGE.

3. INSTRUCTION SHEET: 408-8675.



1918387-2
1918387-1
PART NUMBER

THIS DRAWING IS A CONTROLLED DOCUMENT FOR TYCO ELECTRONICS CORPORATION. IT IS SUBJECT TO CHANGE AND THE CONTROLLING ENGINEERING ORGANIZATION SHOULD BE CONTACTED FOR THE LATEST REVISION.		DWN B. BRIGGS 03MAY2006	Tyco Electronics Harrisburg, PA 17105-3608	
DIMENSIONS: mm		CHK D. ROHDE 03MAY2006	NAME KIT, CONNECTOR, LC, DUPLEX, SM, 900um BUFFER	
TOLERANCES UNLESS OTHERWISE SPECIFIED: 0 PLC ± 1 PLC ± 2 PLC ± 3 PLC ± 4 PLC ± ANGLES ± FINISH		APVD S. BUCHTER 03MAY2006	RESTRICTED TO	
MATERIAL		PRODUCT SPEC	SIZE A200779	CAGE CODE C-1918387
1		APPLICATION SPEC	DRAWING NO 1918387	
CUSTOMER DRAWING		WEIGHT	SCALE 5:1	SHEET 1 OF 1
			REV BI	